

THIS DRAWING IS UNPUBLISHED. RELEASED FOR PUBLICATION 1825006, 1825006  
 © COPYRIGHT 1825006 BY - ALL RIGHTS RESERVED.

LOC	DIST	REVISIONS					
AD	00	P	LTR	DESCRIPTION	DATE	DWN	APVD
		P		REVISED PER ECO-11-004820	11MAR11	RK	HMR

SPECIFICATIONS:

MATERIALS:

CASE-PPS, UL94V0-BLACK  
 COVER-PPS, UL94V0-BLACK  
 ACTUATOR-LCP, UL94V0-WHITE  
 CONTACTS AND TERMINALS-COPPER ALLOY, GOLD OVER NICKEL  
 TAPE SEAL-POLYIMIDE FILM

ELECTRICAL:

CONTACT RATING: NON-SWITCHING: 100mA @ 50VDC  
 SWITCHING: 25mA 24VDC  
 INITIAL CONTACT RESISTANCE: 100 MILLIOHMS MAX. @ 2VDC, 10mA  
 INSULATION RESISTANCE: 100 MEGOHMS MIN. @ 100VDC  
 DIELECTRIC STRENGTH: 300VAC FOR 1 MINUTE  
 LIFE EXPECTANCY: 1000 CYCLES

MECHANICAL:

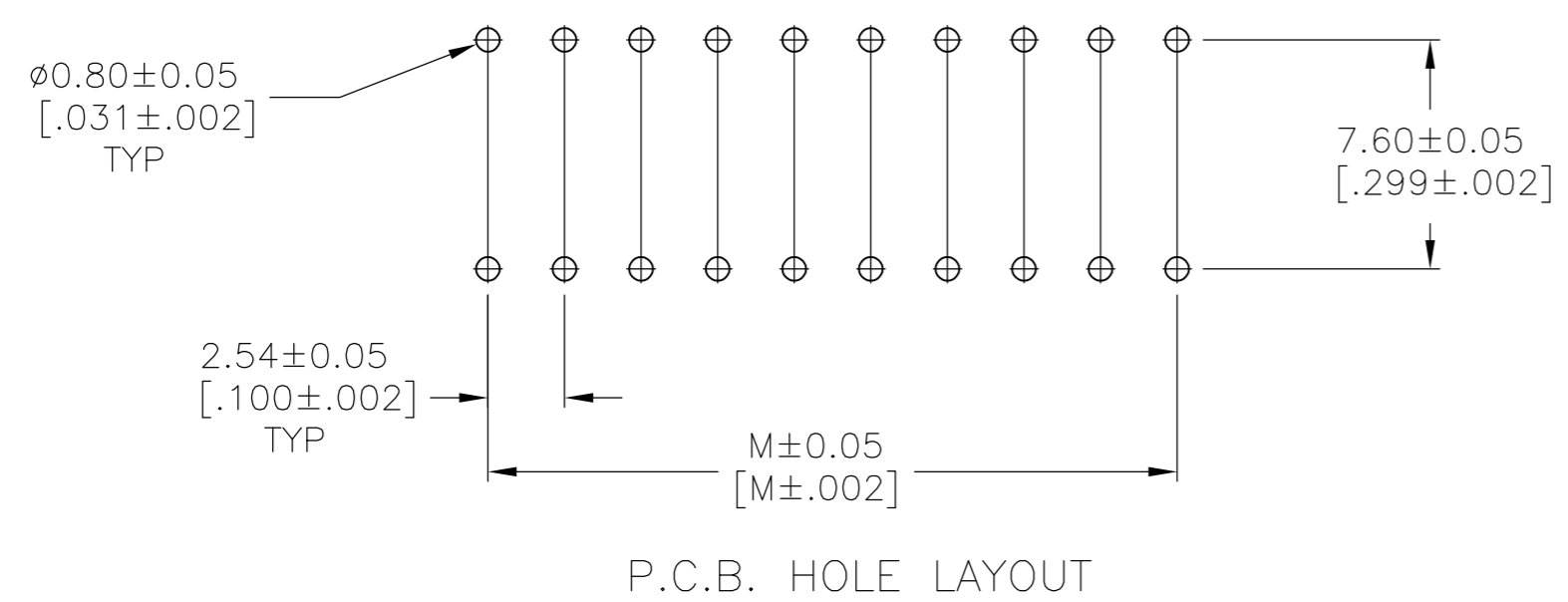
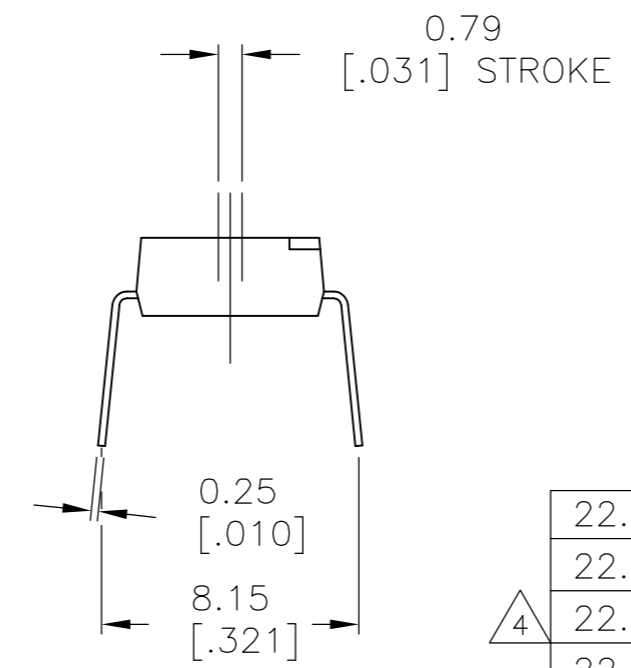
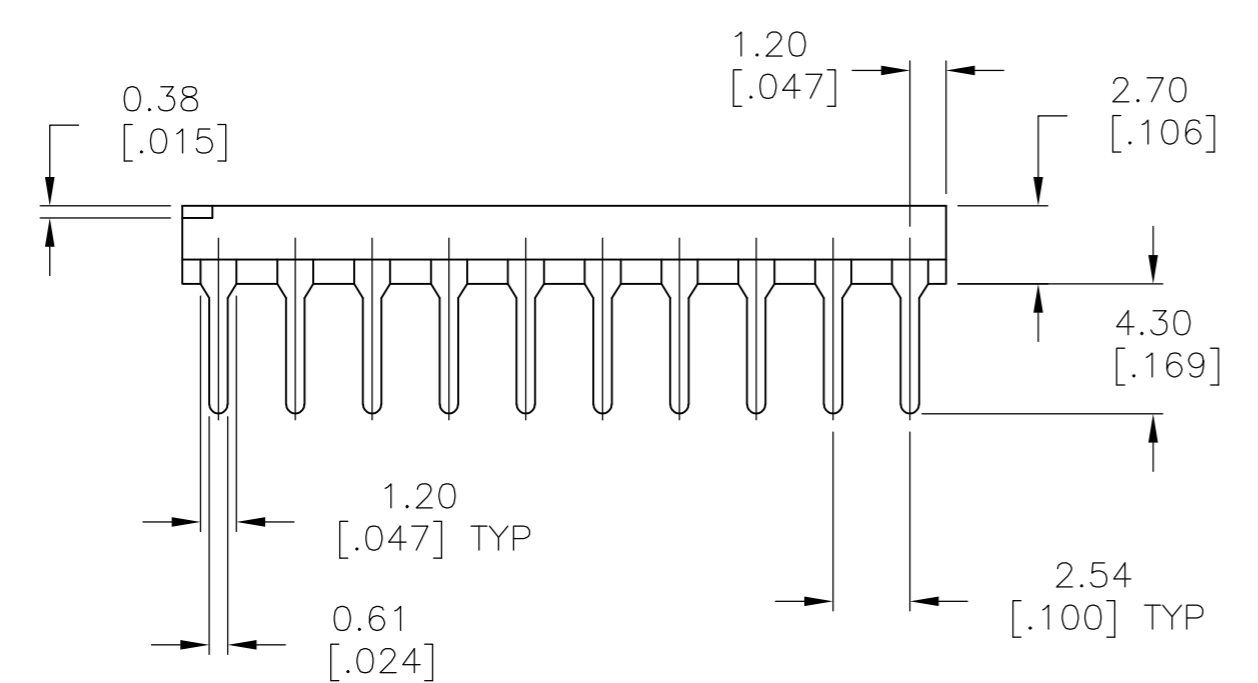
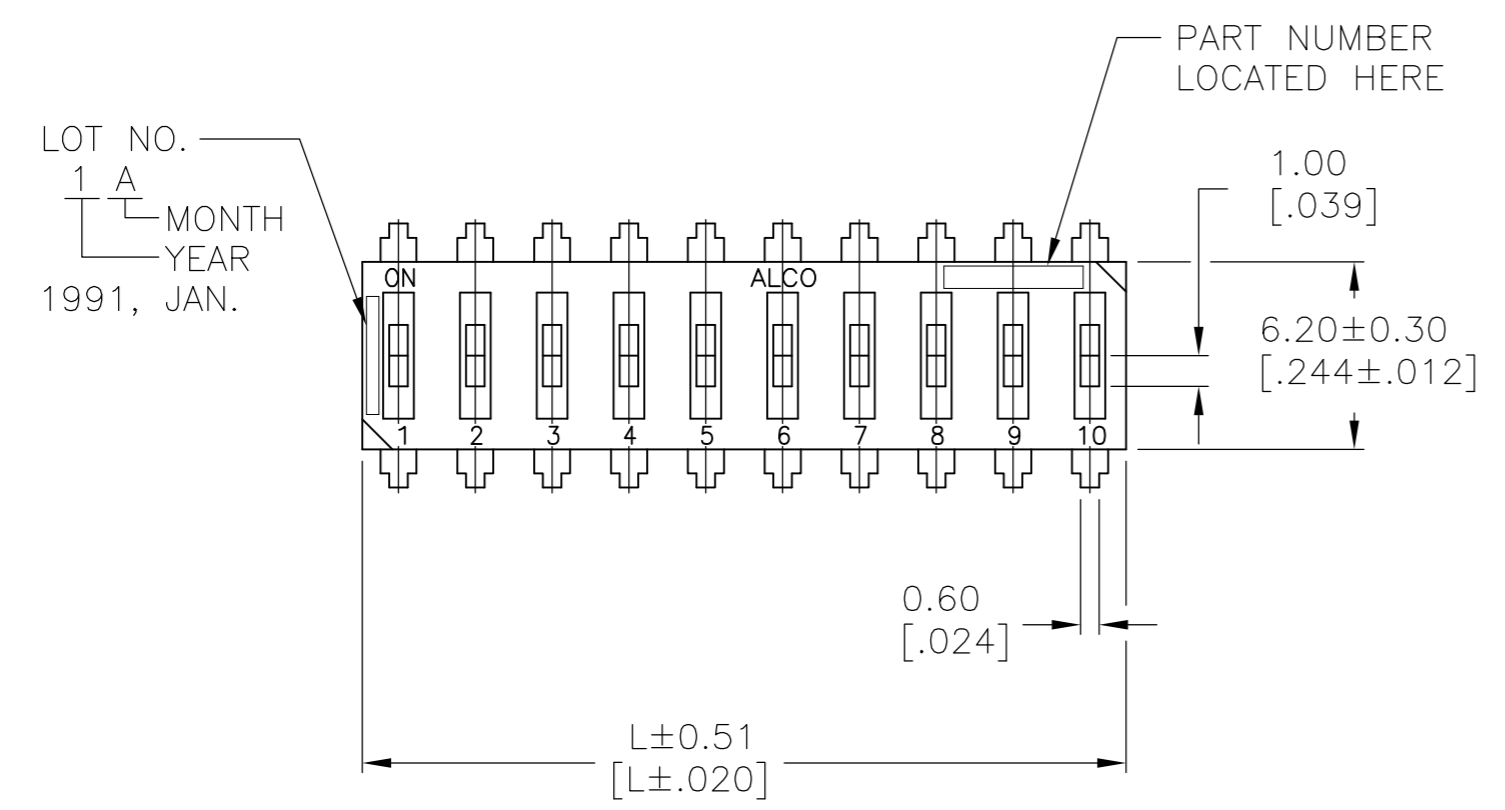
ACTUATION FORCE: 60-600 GRAMS

ENVIRONMENTAL:

OPERATING TEMPERATURE: -45°C TO +100°C  
 STORAGE TEMPERATURE: -45°C TO +100 °C  
 SOLDER HEAT RESISTANCE PER 109-202, CONDITION B (THRU-HOLE) OR 109-201, CONDITION B (SMT)  
 SOLDERABILITY PER JIS C 0500 & JIS C 0053

NOTES:

- TAPE AND REEL PACKAGING PER EIA 481 - PART NO.S GDSXXSTR.
- ALL MATERIALS AND FINISHES SHALL COMPLY WITH EU DIRECTIVE 2002/95/EC OF 27JAN2003 (ROHS)
- SEE SHEET 2 FOR SURFACE MOUNTING DETAILS.
- OBsolete PARTS: OBsolete CIS STREAMLINING PER D.RENAUD/D.SINISI



	22.86[.900]	25.25[.994]	TAPE	SMT	10	GDS10STR04	2-1825006-0
	22.86[.900]	25.25[.994]	TAPE	SMT	10	GDS10S04	1-1825006-9
4	22.86[.900]	25.25[.994]	NONE	T/H	10	GDS10NTS04	1-1825006-8
	22.86[.900]	25.25[.994]	TAPE	T/H	10	GDS1004	1-1825006-7
	17.78[.700]	20.17[.794]	TAPE	SMT	8	GDS08STR04	1-1825006-6
	17.78[.700]	20.17[.794]	TAPE	SMT	8	GDS08S04	1-1825006-5
4	17.78[.700]	20.17[.794]	NONE	T/H	8	GDS08NTS04	1-1825006-4
	17.78[.700]	20.17[.794]	TAPE	T/H	8	GDS0804	1-1825006-3
	12.7[.500]	15.09[.594]	TAPE	SMT	6	GDS06STR04	1-1825006-2
	12.7[.500]	15.09[.594]	TAPE	SMT	6	GDS06S04	1-1825006-1
4	12.7[.500]	15.09[.594]	NONE	T/H	6	GDS06NTS04	1-1825006-0
	12.7[.500]	15.09[.594]	TAPE	T/H	6	GDS0604	1825006-9
	7.62[.300]	10.01[.394]	TAPE	SMT	4	GDS04STR04	1825006-8
	7.62[.300]	10.01[.394]	TAPE	SMT	4	GDS04S04	1825006-7
4	7.62[.300]	10.01[.394]	NONE	T/H	4	GDS04NTS04	1825006-6
	7.62[.300]	10.01[.394]	TAPE	T/H	4	GDS0404	1825006-5
	2.54[.100]	4.93[.194]	TAPE	SMT	2	GDS02STR04	1825006-4
	2.54[.100]	4.93[.194]	TAPE	SMT	2	GDS02S04	1825006-3
4	2.54[.100]	4.93[.194]	NONE	T/H	2	GDS02NTS04	1825006-2
	2.54[.100]	4.93[.194]	TAPE	T/H	2	GDS0204	1825006-1
	DIM M	DIM L	SEAL	MTG	POLE	OLD T&B P/N	PART NO

THIS DRAWING IS A CONTROLLED DOCUMENT.

DWN	B.S.VISWESWARA	03MAR05
CHK	M.S.SARVER	-
APVD	M.S.SARVER	-
PRODUCT SPEC	-	-
APPLICATION SPEC	-	-
WEIGHT	-	-
CUSTOMER DRAWING	-	-

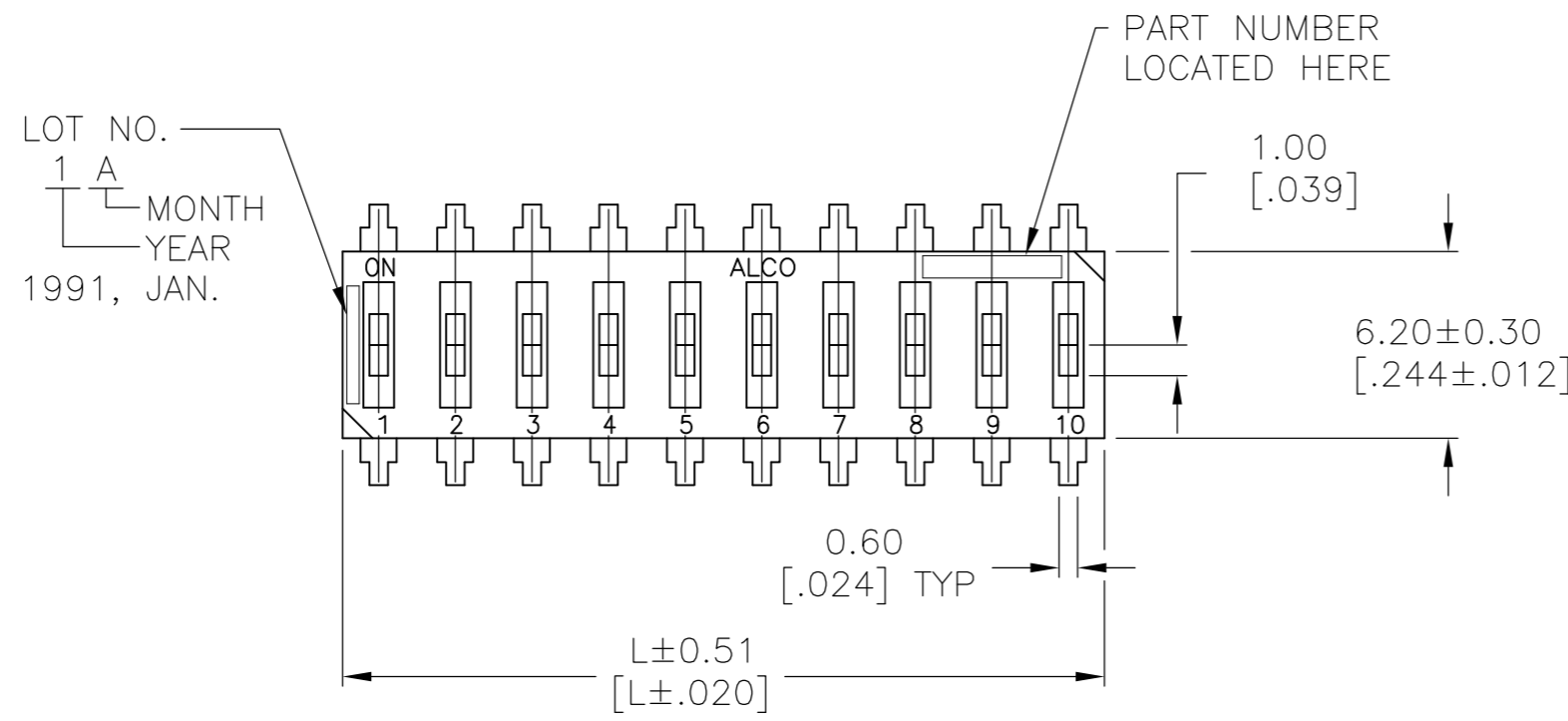
**TE** TE Connectivity

DIP SWITCH ASSEMBLY  
GDS SERIES

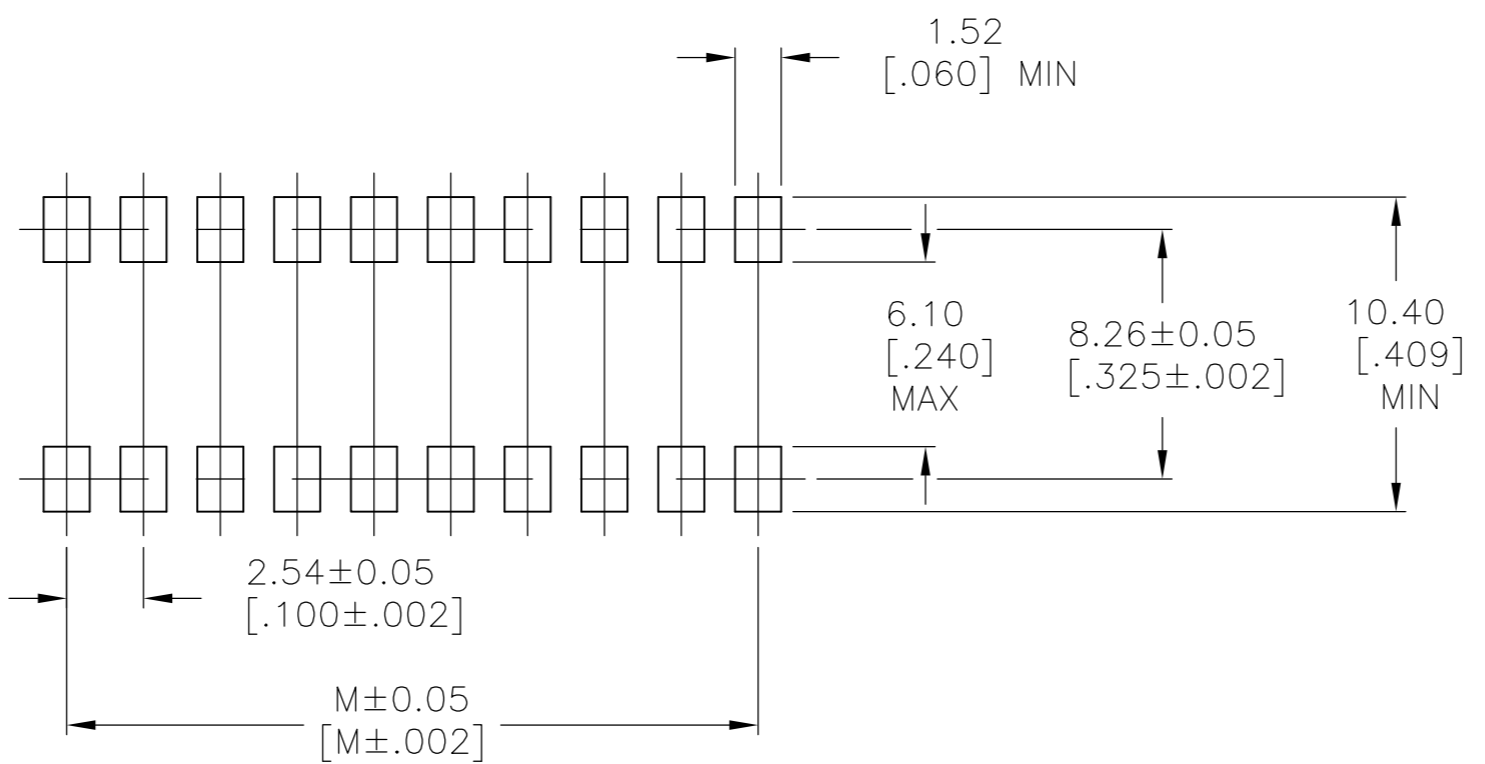
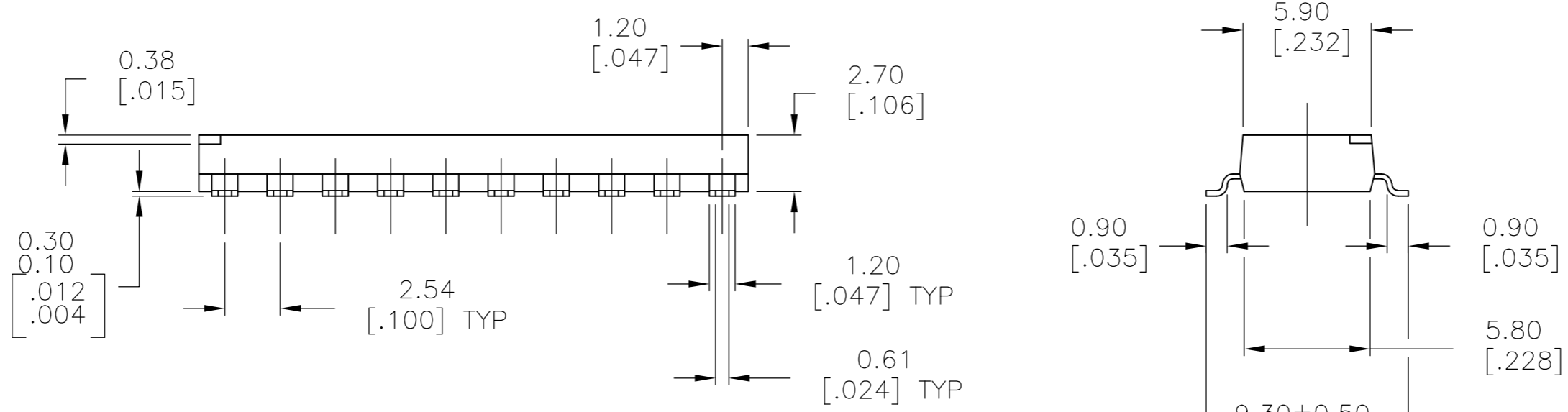
SIZE	A2	CAGE CODE	00779	DRAWING NO	1825006	RESTRICTED TO	-
SCALE	4:1	SHEET	1 of 2	REV	P		

THIS DRAWING IS UNPUBLISHED. RELEASED FOR PUBLICATION 1825006, 1825006  
 © COPYRIGHT 1825006y - ALL RIGHTS RESERVED.

LOC	DIST	REVISIONS			
P	LTR	DESCRIPTION	DATE	DWN	APVD
AD	00	-	-	-	-
		SEE SHEET 1			



LOT NO.  
 1 A  
 MONTH  
 YEAR  
 1991, JAN.



SURFACE MOUNT PAD LAYOUT

THIS DRAWING IS A CONTROLLED DOCUMENT.		DWN B.S.VISWESWARA	03MAR05	<b>TE</b> TE Connectivity																			
DIMENSIONS: mm [INCHES]		CHK M.S.SARVER	APVD			NAME																	
TOLERANCES UNLESS OTHERWISE SPECIFIED:		PRODUCT SPEC		DIP SWITCH ASSEMBLY GDS SERIES																			
<table border="0"> <tr><td>0 PLC</td><td>±</td><td>-</td></tr> <tr><td>1 PLC</td><td>±</td><td>-</td></tr> <tr><td>2 PLC</td><td>±</td><td>0.25[.010]</td></tr> <tr><td>3 PLC</td><td>±</td><td>-</td></tr> <tr><td>4 PLC</td><td>±</td><td>-</td></tr> <tr><td>ANGLES</td><td>±</td><td>1°</td></tr> </table>		0 PLC	±	-	1 PLC	±	-	2 PLC	±	0.25[.010]	3 PLC	±	-	4 PLC	±	-	ANGLES	±	1°	APPLICATION SPEC		SIZE	RESTRICTED TO
0 PLC	±	-																					
1 PLC	±	-																					
2 PLC	±	0.25[.010]																					
3 PLC	±	-																					
4 PLC	±	-																					
ANGLES	±	1°																					
MATERIAL	FINISH	WEIGHT	SCALE	SHEET	REV																		
-	-	-	A2 4:1	00779 2 OF 2	P																		
CUSTOMER DRAWING			DRAWING NO. 1825006																				